

# REVOLUTION *SFX* ///

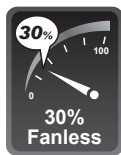


ERV650SWT  
ERV550SWT

- Compact & powerful SFX form factor for small but high-performance system
- Smart semi-fanless control – fanless under 30% load
- 100% 105°C Japanese electrolytic capacitors



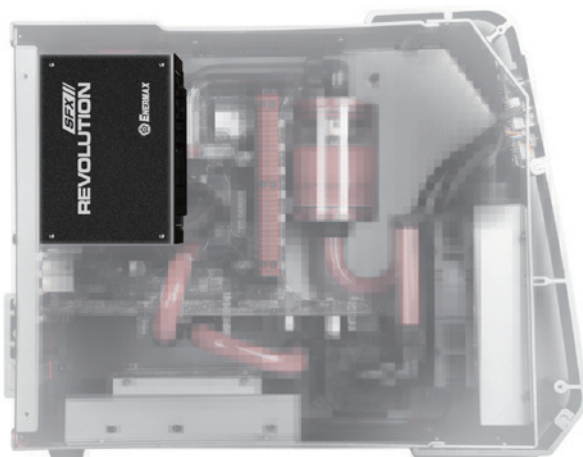
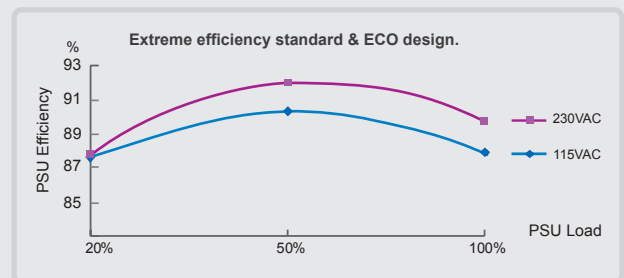
650W / 550W



### Features

#### 80 PLUS® Gold certified

Up to 92% efficiency, compliant with 80 PLUS® Gold efficiency requirement

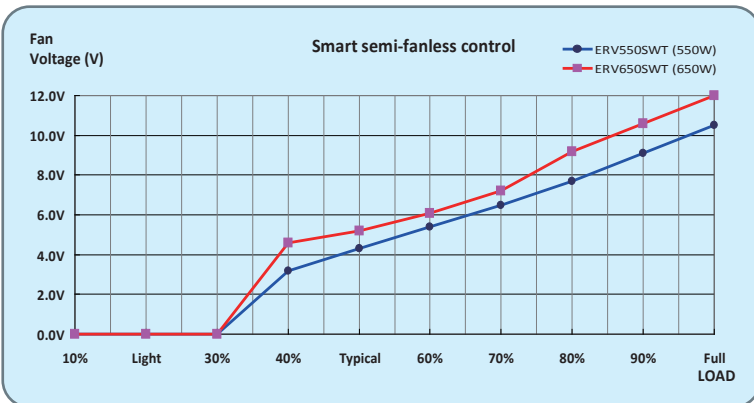
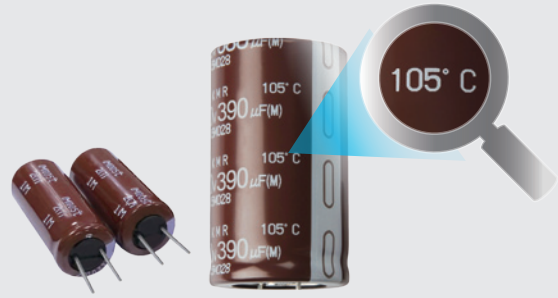


#### Compact & powerful SFX form factor

High density PCB design with standard SFX 100mm depth makes it a perfect power supply for compact and high-performance system

**100% 105°C Japanese electrolytic capacitors**

Highest component standards for maximum durability and stability

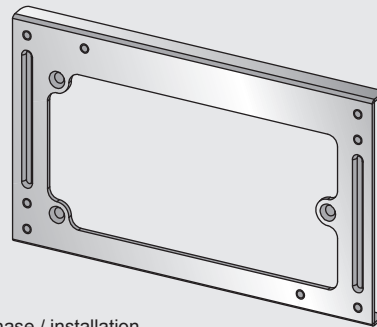


**Smart semi-fanless control**

Fanless mode before 30% of system load for silent operation. Once surpassing the pre-defined limit, the fan starts to spin and the fan RPM is automatically regulated according to the system load

**SFX-to-ATX compatible installation**

Handy SFX-to-ATX PSU adapter bracket is included for installation in ATX or Micro-ATX chassis\*



\*It is recommended to check if the length of cable is sufficient for your PC cases before purchase / installation



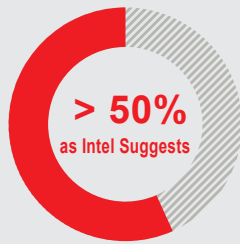
**Full modular & 100% flexible flat cables**

Full modular with flat cable design facilitates system installation and cable management

### 2013 ErP Lot 6 ready

Help system meet 2013 ErP Lot 6 (<0.5W at standby mode) with high efficiency +5Vsb circuitry (when used with a 2013 ErP Lot 6-enabled motherboard)

PSU +5Vsb efficiency @ 0.045A load, 230VAC



ENERMAX 2013 ErP Lot 6 Compliant PSU



Non 2013 ErP Lot 6 Compliant PSU

### Zero load ready!

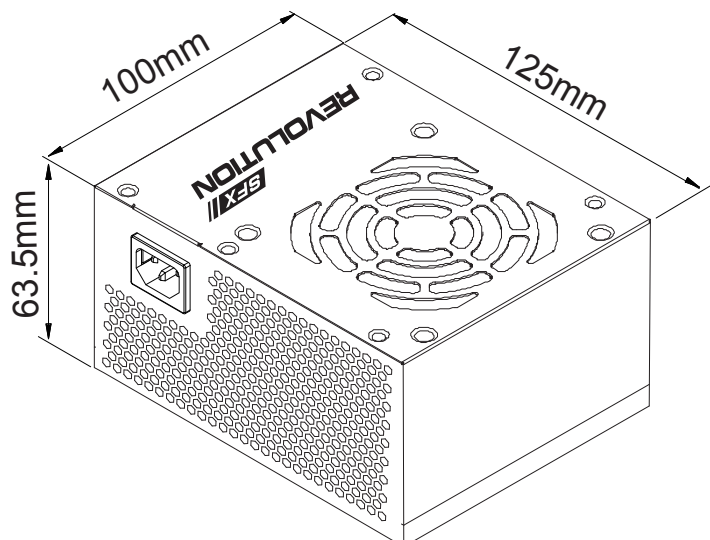
DC to DC converter circuit provides stable output voltage and higher efficiency

### SafeGuard






Multiple protection circuitry of OPP, OVP, UVP, OCP (+3.3V/+5V), OTP, SCP, and SIP ensures your system safety

### Dimension

100(L) \* 125(W) \* 63.5(H) mm



## Cables & Connectors

Model					
	Mainboard 20+4P (24P)	CPU 4+4P (8P)	PCI-E 6+2P (8P)	SATA	4P Molex
ERV650SWT	1 (300mm)	1 (400mm)	2 (400mm)	6 (200/150/150mm)	4 (200/150/150/150mm)
ERV550SWT	1 (300mm)	1 (400mm)	2 (400mm)	6 (200/150/150mm)	4 (200/150/150/150mm)

## Specifications

Model	AC Input	DC Output					
		+3.3V	+5V	+12V	-12V	+5Vsb	Total Power
ERV650SWT	100-240VAC 47-63Hz 8A	18A	15A	54A	0.3A	3A	<b>650W</b>
		90W		648W	3.6W	15W	
ERV550SWT	100-240VAC 47-63Hz 6A	18A	15A	45.8A	0.3A	3A	<b>550W</b>
		90W		549.6W	3.6W	15W	



Shipping Information			
Model		ERV550SWT	ERV650SWT
Bar code	EAN	4713157722614	4713157722621
	UPC	816163008834	816163008841
Box dimensions		240*200*90mm	
Gross Weight / unit		1.0kg	1.2kg
Carton dimensions		430*386*265mm	
Q'ty / carton		8	
Gross Weight / carton		8.8kg	10.4kg