

Table of Contents

TABLE OF CONTENTS

<u>CHAPTER 1 - INTRODUCTION</u>	1
ICON	1
JAZZ EB307ES	1
SYSTEM REQUIREMENTS	2
PC REQUIREMENTS	2
MAC REQUIREMENTS	2
PACKAGE CONTENTS	2
<u>CHAPTER 2 - INSTALLING THE HDD</u>	3
PREPARING THE ENCLOSURE	3
HARD DRIVE ASSEMBLY	5

CHAPTER 3 - SYSTEM SET UP **7**

CONNECTION TO YOUR COMPUTER	7
INSTALLATION ON A PC (MICROSOFT WINDOWS)	8
WIN2000 OR WINXP OR WINVISTA WITH USB CONNECTION	8
WIN98/SE WITH A USB CONNECTION	8
UNPLUG PROCEDURE	8
INSTALLATION ON A MACINTOSH (APPLE MAC OS)	9
MAC OS 9.X OR MAC OS 10.X WITH USB CONNECTION	9
MAC OS 10.2 OR 10.3 OR 10.4 OR 10.5 WITH USB 2.0 CONNECTION	9
UNPLUG PROCEDURE	9
PARTITIONING & FORMATTING	10
PC RUNNING WIN98/SE OR WINME	10
PC RUNNING WIN2000 OR WINXP OR WIN VISTA	11
MAC OS	122

Chapter 1 - Introduction

Icon

Throughout this manual you will see icons on the left margin that denote either Notes or Special Remarks as outlined below:



General Notes and Tips



Remarks for PC users and Microsoft Windows OS



Remarks for Mac users and Apple Macintosh OS

Jazz EB307ES

Jazz EB307ES provides passive cooling with maximum durability, flexibility and practical design. Through the steel mesh and aluminum case eliminates the need for an onboard fan, therefore making the ideal solution for a quiet environment.

With eSATA and USB2.0 interfaces, you are able to transfer data with 3.0Gb/sec speed or “plug & play” in any computer with USB ports.

Dimensions: 220mm x 124mm x 43mm
 8.66” x 4.88” x 1.69”



USB driver for Win98/SE is on
www.enermax.com



Mac OS 8.6 users should use
USB extension 1.41 to be able
to use USB 1.1

System Requirements

PC Requirements

- Minimum Intel Processor II 350MHz, 64MB RAM
- USB 1.1 equipped PC; WinME, Win2000, WinXP, WinVista
- USB 2.0 equipped PC; WinME, Win2000, WinXP, WinVista
- Computer must have proper port or PCI card

Mac Requirements

- Minimum Apple G3 processor, 64MB RAM
- USB 1.1 equipped Mac; Mac OS 9.1, 9.2, 10.1.5, 10.2, 10.3, 10.4, 10.5
- USB 2.0 equipped Mac; Mac OS 10.2, 10.3, 10.4, 10.5

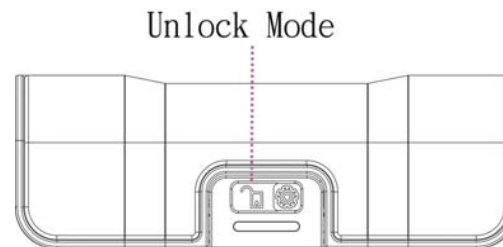
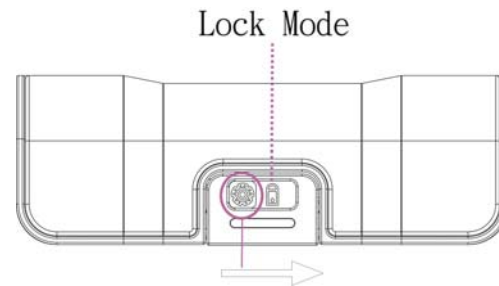
Package Contents

- Jazz EB307ES 3.5" HDD Enclosure
- External Power Adapter DC 12V (Switch 100-220V)
- USB 2.0 Cable
- eSATA Cable
- eSATA Expansion Slot Bracket
- Acrylic Stand
- User's Manual

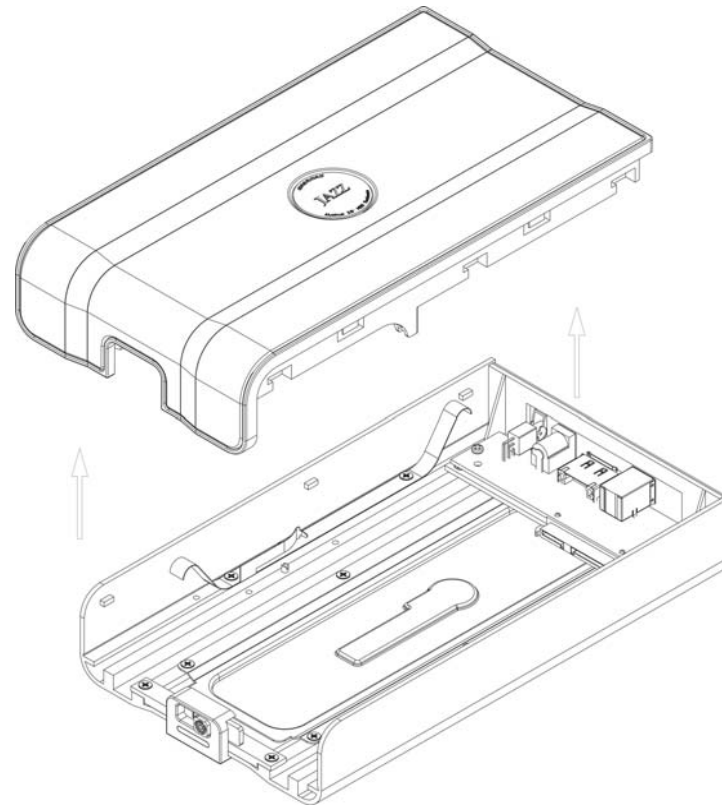
Chapter 2 - Installing the HDD

Preparing the Enclosure

Jazz EB307ES is on “Lock Mode” when you take it out from the package. Please follow the arrow direction to switch it into “Unlock Mode”.



Follow the arrow direction to slide the upper cover to open the enclosure.



Hard Drive Assembly

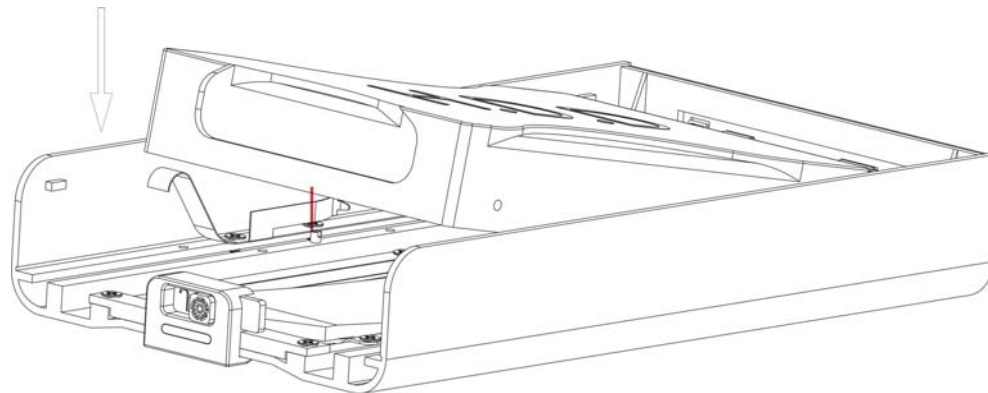
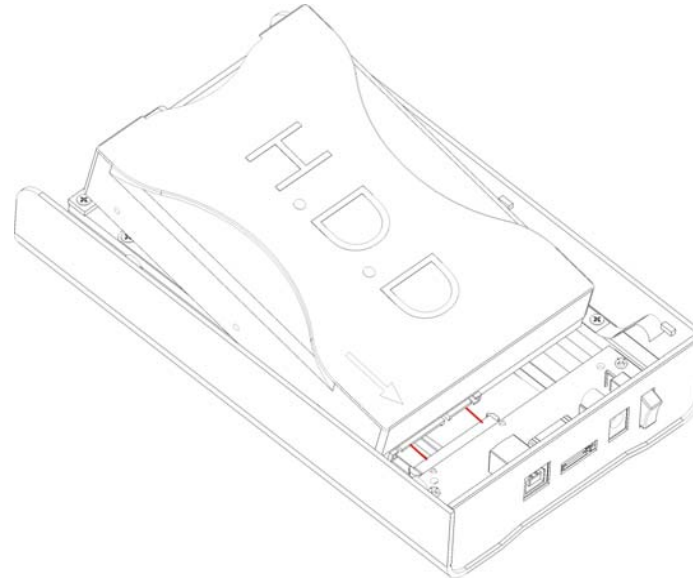
Connect your SATA hard drive to the connector. Place the hard drive on the 2 mounting pins with mounting holes under the hard drive.



The hard drive jumper settings should be master or factory default.



Be careful not to damage any cables or components and double check the connection between the cables, the bridgeboard and your hard drive before you close up the case.



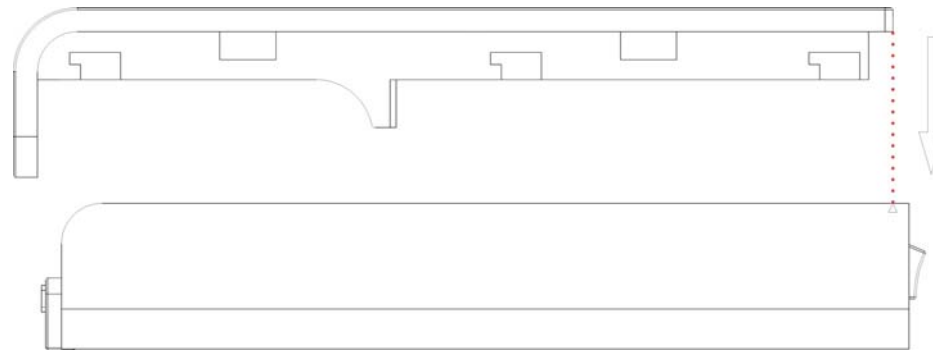
Level the edge of the upper cover at the triangle mark and press the upper cover down. Follow the arrow direction to close the enclosure. Switch the enclosure into “Lock Mode”



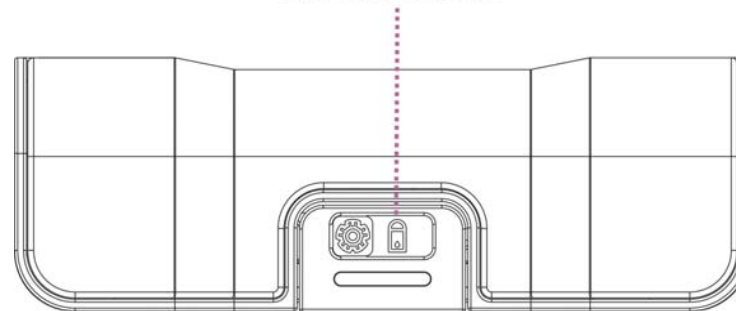
The hard drive jumper settings should be master or factory default.



Be careful not to damage any cables or components and double check the connection between the cables, the bridgeboard and your hard drive before you close up the case.



Lock Mode





Most problems occur due to driver problems on the Host Card side!



If you buy a spare power adapter for your working place or at home, make sure the output and polarity is identical with the power adapter supplied!

Chapter 3 - System Set Up

Connection to your Computer

Please connect the Jazz enclosure to your computer with the USB / eSATA cable enclosed in the package. Using the power adapter with this product is also required.

A few tips on connecting the Jazz enclosure:

- Make sure your PCI Host Card is installed correctly
- Make sure your eSATA expansion slot bracket is installed correctly
- Double check that the Host Card driver is up to date
- If required, update your Operating System or BIOS
- Only one interface at the time can be used (Priority : eSATA)
- Only one computer at the time can access the drive
- To use one drive on several computers, it can be shared through one computer on the network
- Do not cover the enclosure and leave enough room around it to cool down
- Do not expose the product to water or humid conditions
- Always check for visible damage and defects of power and interface cables before using it



If the system doesn't recognize the drive, turn on the power first, before connecting the USB cable.



For safe removal of your drive and to assure that no data is lost, always follow the unplug procedure. If not, an error message will show up.

Installation on a PC (Microsoft Windows)

Win2000 or WinXP or WinVista with a USB connection:

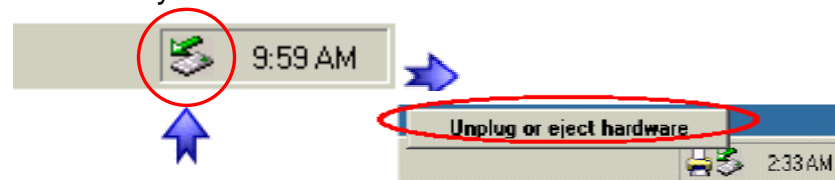
- Turn on your computer and start Windows
- Connect the Jazz enclosure and turn it on
- Let Windows search and install the driver automatically
- Open "My Computer" to see your external hard drive**

Win98/SE with a USB connection:

- Turn on your computer and start Windows
- Connect the Jazz enclosure and turn it on
- Install the driver downloaded from www.enermax.com
- Follow the onscreen instructions and install the drivers
- Open "My Computer" to see your external hard drive **

Unplug Procedure:

- Click on the taskbar icon for external hardware
- Choose your external hard drive and confirm to remove it



** For factory new drives and formatting, see "Partitioning & Formatting"



If the system doesn't recognize the drive, turn on the power first, before connecting the USB cable.



For Mac OS 8.6, the USB extension has to be at least v1.41.



For Mac OS 8.6, extension has to be at least v2.6.



For safe removal of your drive and to assure that no data is lost, always follow the unplug procedure. If not, an error message will show up.

Installation on a Macintosh (Apple Mac OS)

Mac OS 9.x or Mac OS 10.x with USB connection:

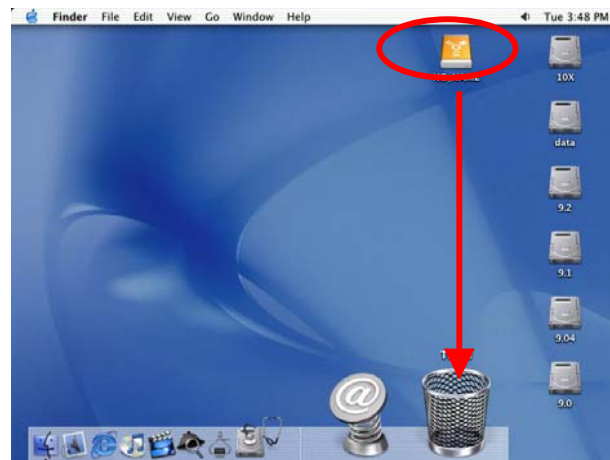
- Turn on your computer and start Mac OS
- Connect the Jazz enclosure and turn it on
- No driver installation required
- The external drive will mount and show up on your desktop**

Mac OS 10.2 or 10.3 or 10.4 or 10.5 with USB 2.0 connection:

- Turn on your computer and start Mac OS
- Connect the Jazz enclosure and turn it on
- No driver installation required
- The external drive will mount and show up on your desktop**

Unplug Procedure: (** For factory new drives and formatting, see "Partitioning & Formatting)

- Drag the external hard drive icon into the trash bin
- Turn off your device





You can choose to create several partitions but be aware that if you want to change this at a later point, it's required to format the drive again or use 3rd party software.



Win98/SE and WinME do not recognize NTFS formatted drives, so if you want to use your drive on those platforms, we recommend you to use FAT32 instead.



If you use this device to backup your data using a 3rd party software running MS-DOS, we recommend you to format the drive using FAT32.

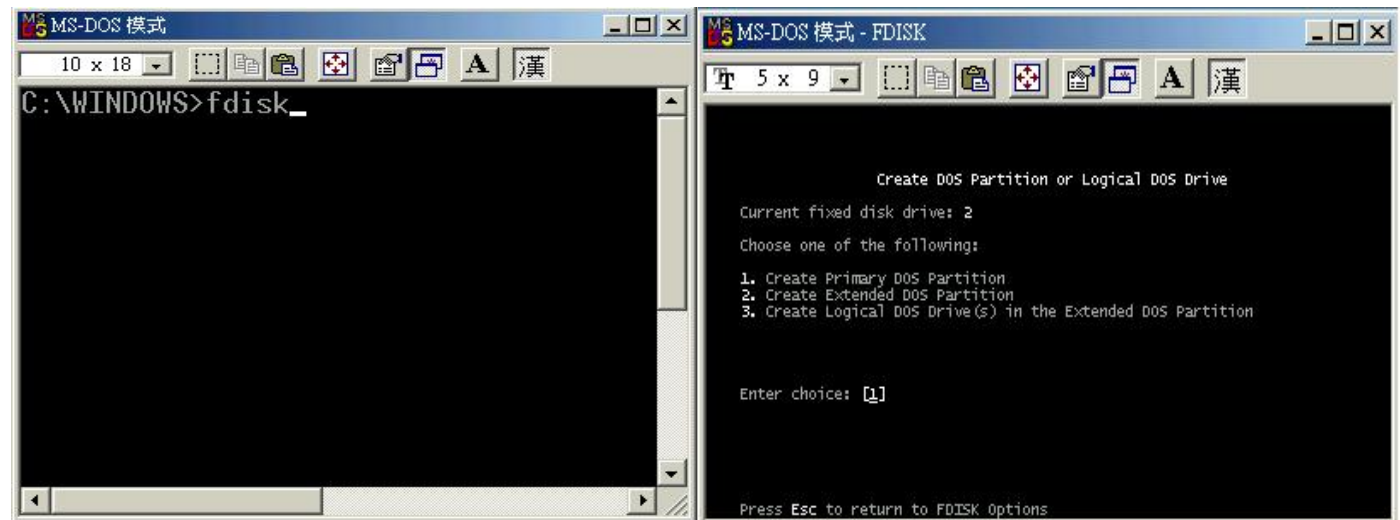
Partitioning & Formatting

Be aware that this will destroy all your existing data on the drive, so make sure you have a backup! This step is usually only required the first time you install a factory new hard drive, if you change the format or want to erase all data on your drive.

PC running Win98/SE or WinME :

MS-DOS command "fdisk" (press Enter to confirm)

- Type "fdisk" and press Enter
- Select "Y" and press Enter
- Enter "5" to change the drive
- Select the drive you want to format
- Choose "1" and follow the onscreen instructions





Mac OS does not recognize NTFS formatted drives, to use your device on both platforms, we recommend you using FAT32.



If you use Win2000 or WinXP or WinVista and FAT32, the biggest single partition you can create will be 32GB. To create larger partitions, you need to use the DOS command under Win98SE or WinME or change to NTFS format.

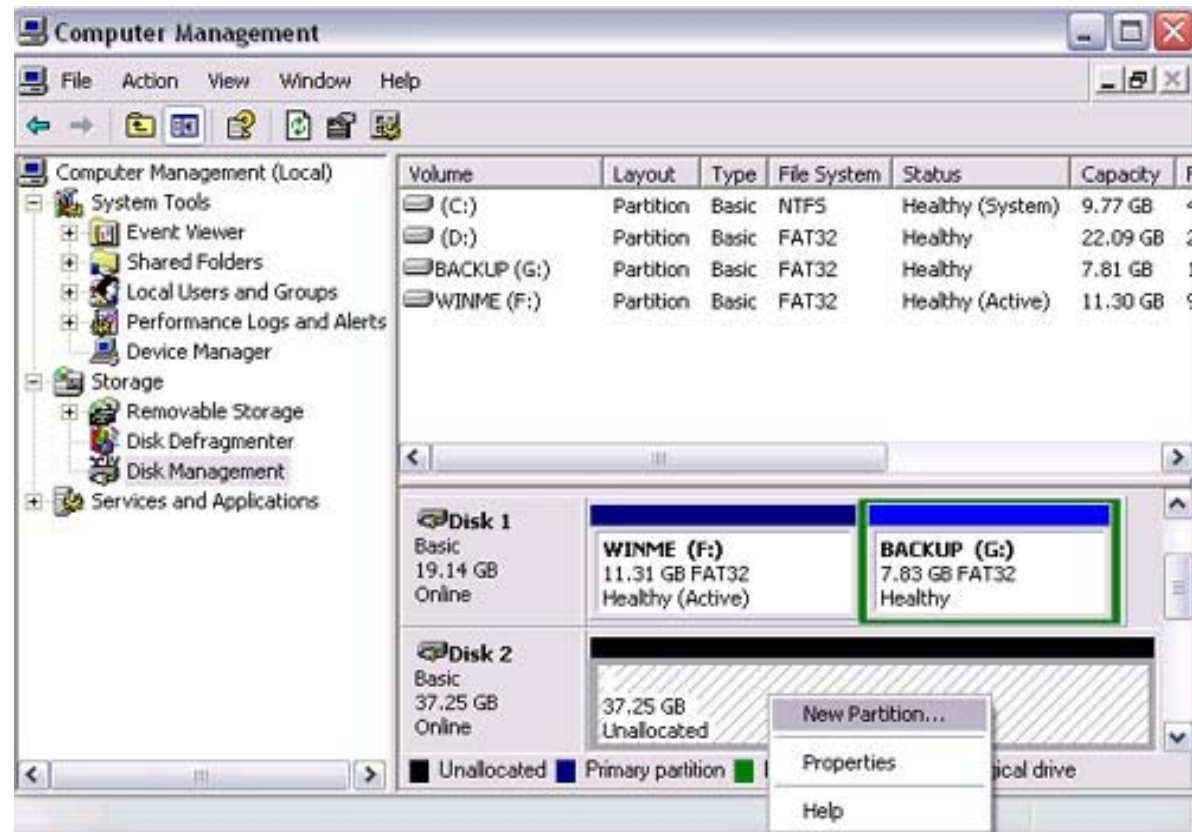


If you can not see the drive, make sure the jumper settings of your hard drive are correct, the drivers are installed and the power is turned on.

PC running Win2000 or WinXP or WinVista:

Disk Management Program

- Right click on “My Computer” and choose “Manage”
- Select “Disk Management”
- Choose the drive you want to format and right click on it for further commands (Choose New Partition)
- Follow the Partition Wizard





If you want to use your drive on a PC running Microsoft Windows as well as on your Mac, we recommend you to use a PC to format the drive. Choose FAT32 when formatting and do not change anything on the partition or format on your Mac, otherwise the PC will not be able to recognize the drive anymore.



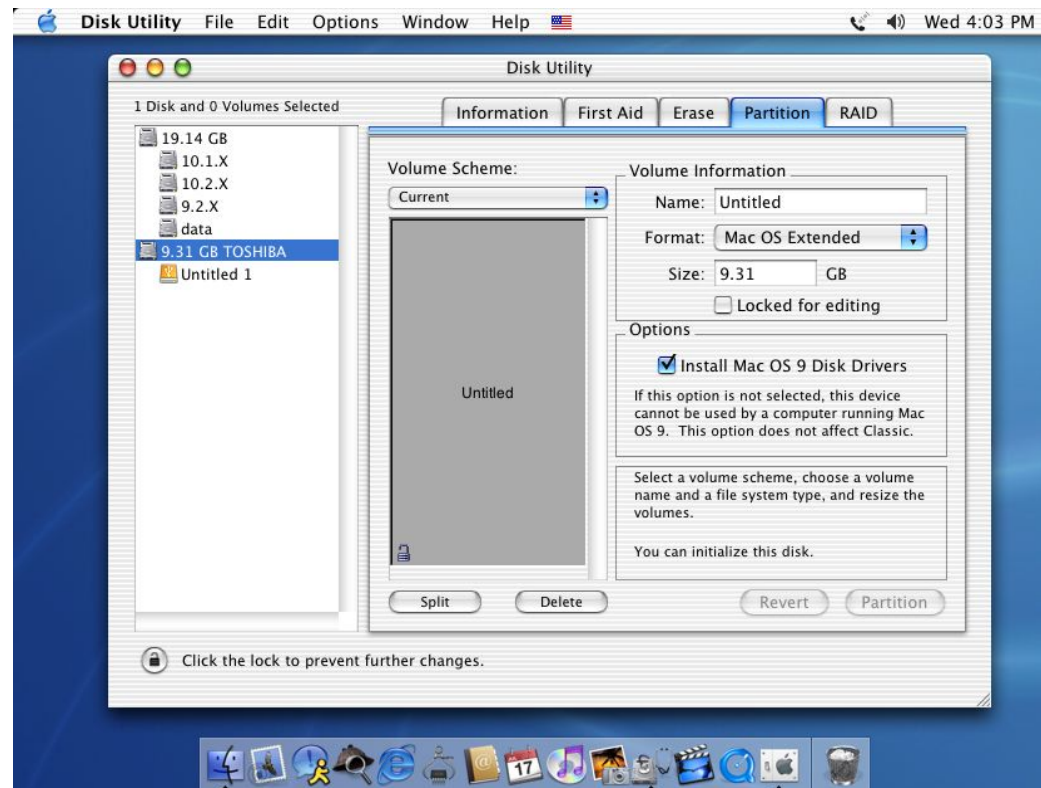
If you can not see the drive, make sure the jumper settings of your hard drive are correct, there are no extension conflicts and the power is turned on!

Mac OS:

Mac OS9.2 and earlier, does not support creating partitions on an external drive. To do that, you would need to purchase additional 3rd party software. Initializing is no problem on all Operating Systems.

For Mac OS X, use the Disk Utility to format and create partitions on your external disk.

- Select “Disk Utilities” in the utilities folder
- Choose your external drive and format it according to your requirement



© Copyright 2007 Enermax Technology Corporation All Rights Reserved.

The information contained in this manual is believed to be accurate and reliable. Enermax Technology Corporation assumes no responsibility for any errors contained in this manual. Enermax Technology Corporation reserves the right to make changes in the specifications and/or design of this product without prior notice. The diagrams contained in this manual may also not fully represent the product that you are using and are there for illustration purposes only.